

01-15A EXHAUST SYSTEM [KL]

EXHAUST SYSTEM INSPECTION [KL]. 01-15A-1
EXHAUST SYSTEM
REMOVAL/INSTALLATION [KL] 01-15A-1

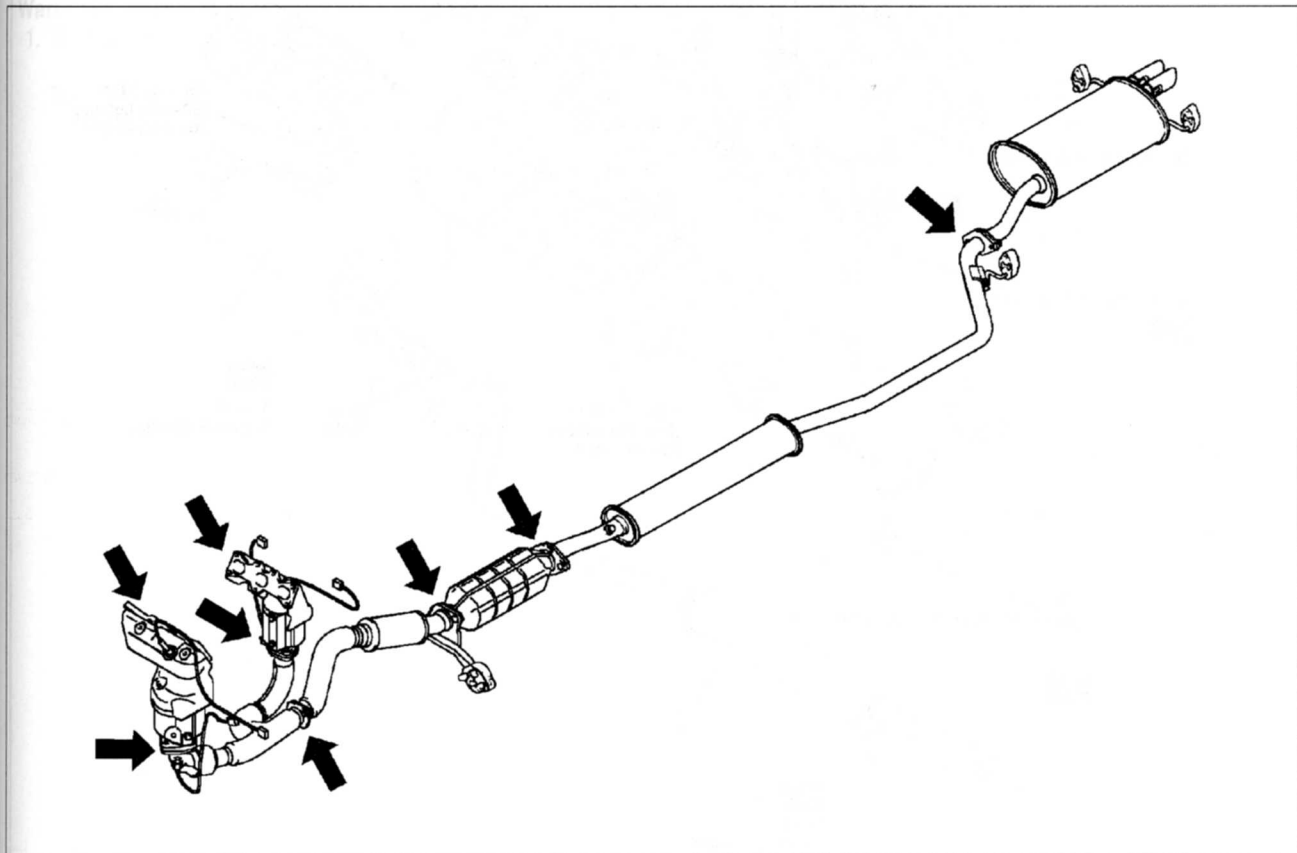
Heated Oxygen Sensor (HO2S) (Front)
Removal/Installation Note 01-15A-3
Warm Up Three Way Catalytic Converter
(WU-TWC) Installation Note 01-15A-3

01-15A

EXHAUST SYSTEM INSPECTION [KL]

ALU01154000W03

1. Verify that the exhaust pipes are installed properly.
2. Visually check the exhaust pipes for corrosion, damage, and cracks.
 - Repair or replace if necessary.
3. Start the engine and let it idle.
4. Visually check for exhaust gas leakage from exhaust pipes.
 - Repair or replace if necessary.



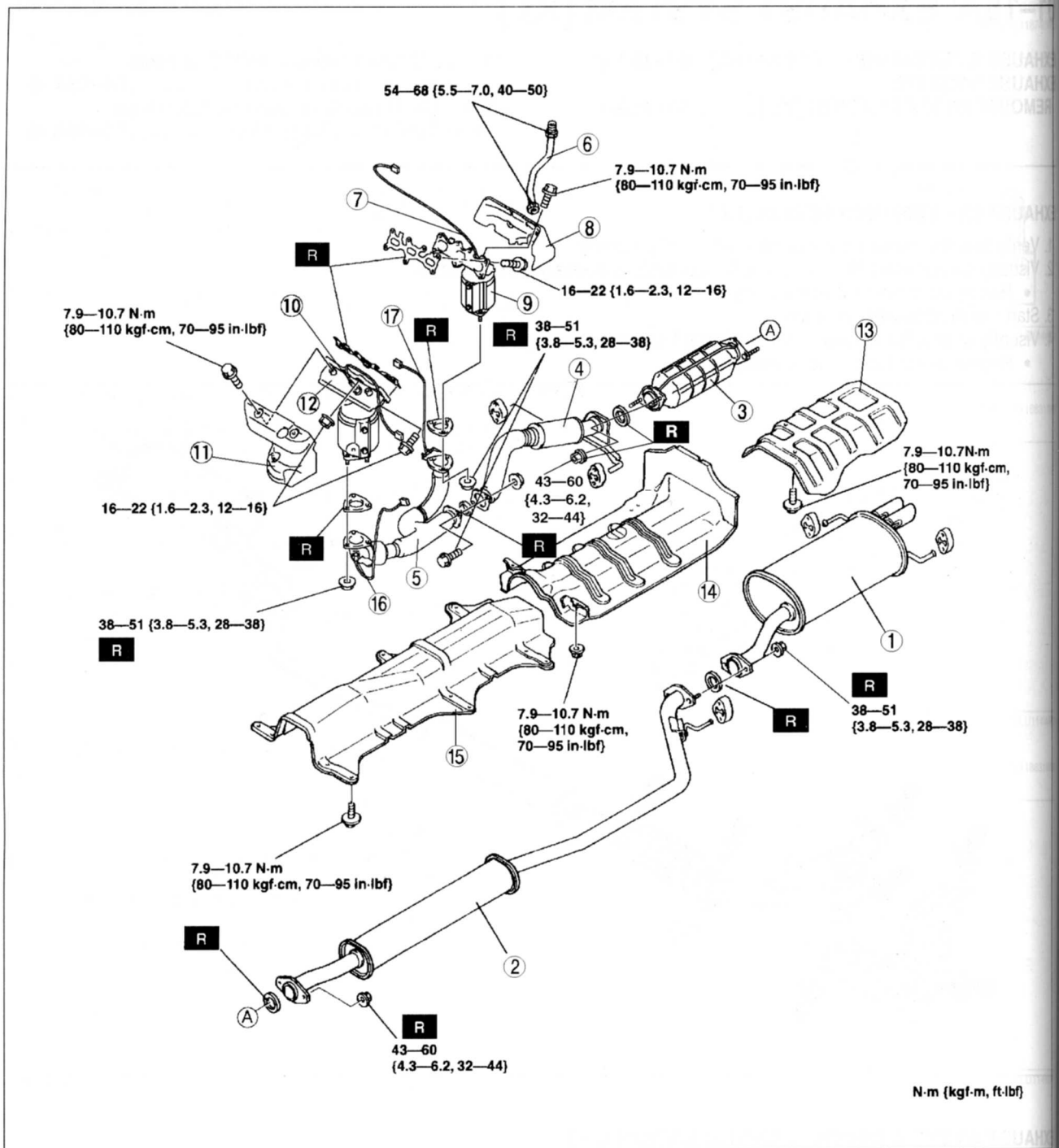
ZLU115WA0

EXHAUST SYSTEM REMOVAL/INSTALLATION [KL]

ALU01154000W04

1. Remove in the order indicated in the table.
2. Install in the reverse order of removal.

EXHAUST SYSTEM [KL]



ZLU115WA

| | |
|---|--|
| 1 | Main silencer |
| 2 | Presilencer |
| 3 | TWC |
| 4 | Front pipe No. 2 |
| 5 | Front pipe No. 1 |
| 6 | EGR pipe |
| 7 | HO2S (front RH) (See 01-15A-3 Heated Oxygen Sensor (HO2S) (Front) Removal/Installation Note) |
| 8 | Insulator (RH) |
| 9 | WU-TWC (RH) (See 01-15A-3 Warm Up Three Way Catalytic Converter (WU-TWC) Installation Note)) |

| | |
|----|--|
| 10 | HO2S (front LH) (See 01-15A-3 Heated Oxygen Sensor (HO2S) (Front) Removal/Installation Note) |
| 11 | Insulator (LH) |
| 12 | WU-TWC (LH) (See 01-15A-3 Warm Up Three Way Catalytic Converter (WU-TWC) Installation Note) |
| 13 | Insulator |
| 14 | Insulator |
| 15 | Insulator |
| 16 | HO2S (rear RH) |
| 17 | HO2S (rear LH) |

01-15B EXHAUST SYSTEM [KJ]

EXHAUST SYSTEM INSPECTION [KJ]. 01-15B-1
EXHAUST SYSTEM
REMOVAL/INSTALLATION [KJ] 01-15B-2

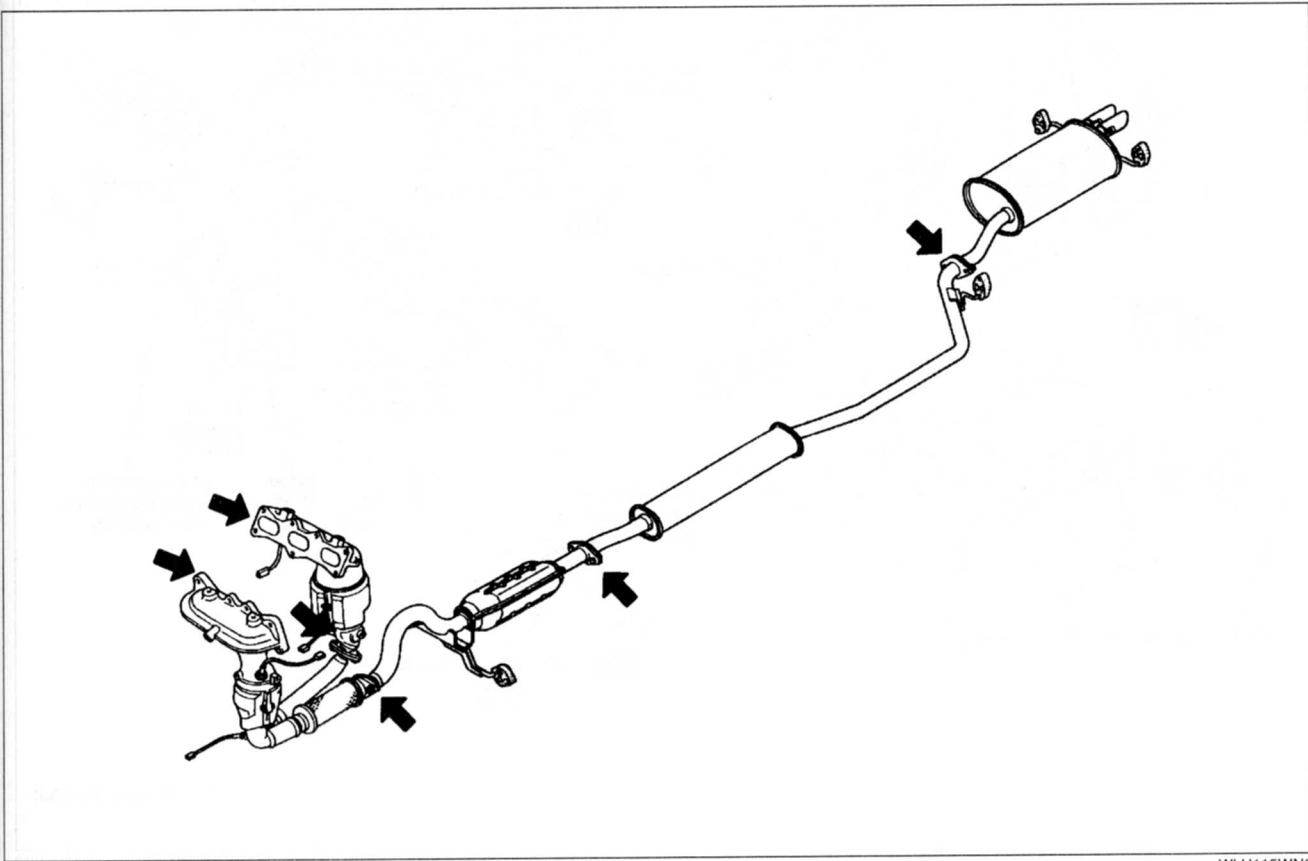
Heated Oxygen Sensor (HO2S) (Front)
Removal/Installation Note 01-15B-3
Warm Up Three Way Catalytic Converter
(WU-TWC) Installation Note 01-15B-3

01-15B

EXHAUST SYSTEM INSPECTION [KJ]

ALU01154000W01

1. Verify that the exhaust pipes are installed properly.
2. Visually check the exhaust pipes for corrosion, damage, and cracks.
 - Repair or replace if necessary.
3. Start the engine and let it idle.
4. Visually check for exhaust gas leakage from exhaust pipes.
 - Repair or replace if necessary.



WLU115WN0

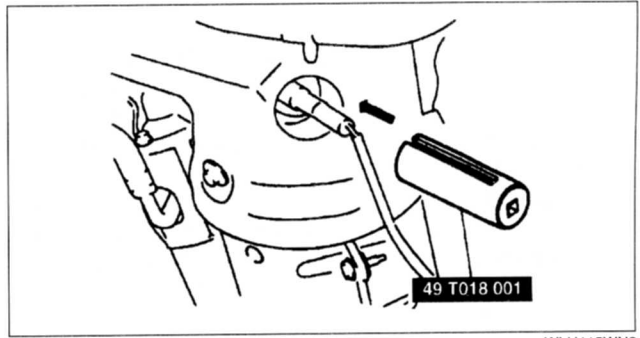
EXHAUST SYSTEM [KJ]

Heated Oxygen Sensor (HO2S) (Front) Removal/Installation Note

1. Use the **SST** to remove or install the HO2S.

Tightening torque

30—49 N·m {3.0—5.0 kgf·m, 22—36 ft·lbf}



WLU115WN2

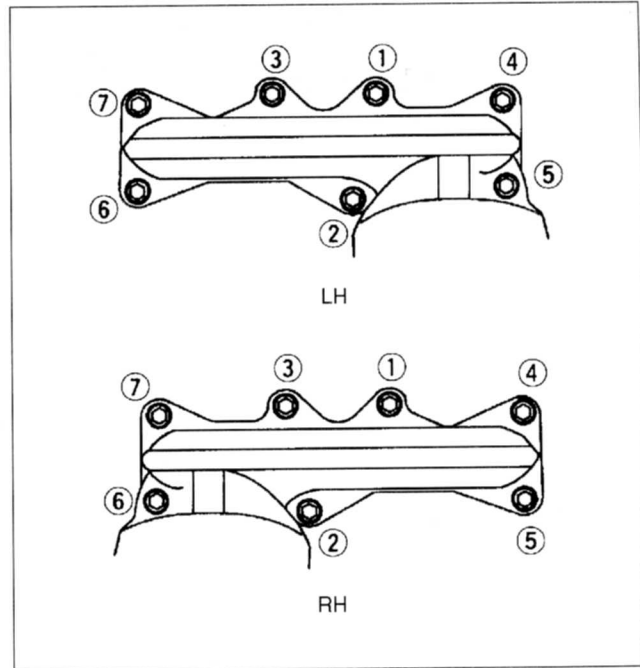
01-15B

Warm Up Three Way Catalytic Converter (WU-TWC) Installation Note

1. Tighten the bolts and nuts in the order shown.

Tightening torque

16—22 N·m {1.6—2.3 kgf·m, 12—16 ft·lbf}



ZLU115WA3