

# SAMPLE DIAGRAM: HOW TO READ & INTERPRET WIRING DIAGRAMS

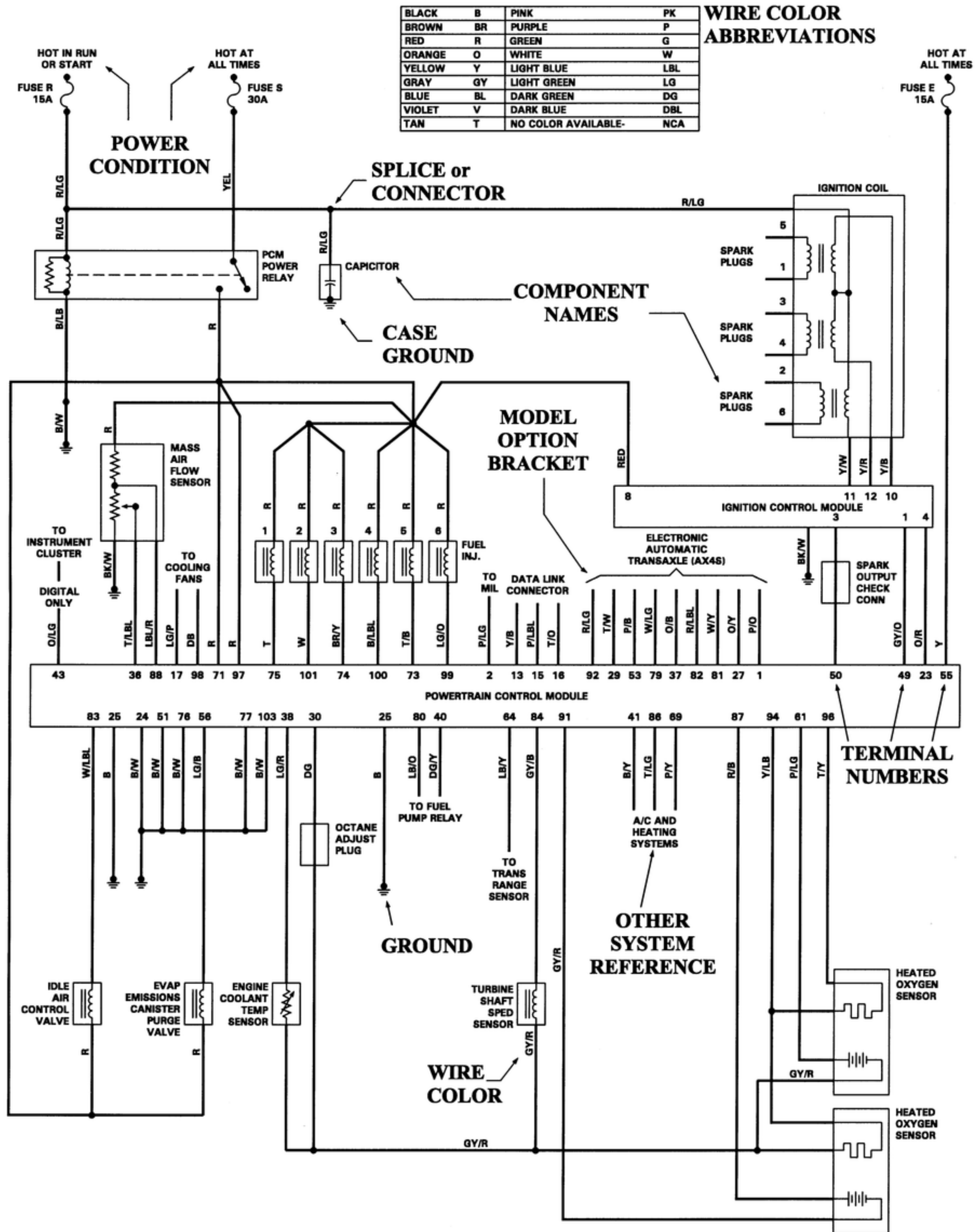


DIAGRAM 1